

## ST SERIES

Linear Pendant System



### Custom Lengths

Pre-assembled: ≤ 8 ft (96 in) per section

### End to End Connectability

### Made in the USA

See separate installation instructions

Patent Pending

#### SKY TRACK REQUIRES

- Aion LED Light Engine
- Aion LED Driver

Sold Separately, Not Included



Components of a complete system include: Aion LED A-Track Light Engine, Aion LED A-Track housing with diffuser lens, & Aion LED driver (power supply). Dimmer not included. Approved dimmers, controls, power supplies, cable, & other components only. Contact Aion LED for questions regarding compatibility. Electrician installed. Strictly adhere to NEC & local building code. Limited 5-year warranty against manufacturing defects only, does not cover labor; voided by: inadequate ventilation, field modifications, installation by unqualified personnel, unapproved controls, drivers, cabling, other devices, not following installation guidelines & protocol, general negligence. Installer assumes all liability with regard to property & safety. This product is UL listed. See separate "Aion LED Warranty Terms" & additional instructional materials for more information. Authorized installers only. Systems tested prior to shipping.



AIONLED.COM | (415) 255-AION

Modified: February 28, 2018

© 2017 Aion LED. All Rights Reserved

## ST SERIES

SkyTrack fixtures are semi custom and made to order. If an additional option or feature is needed, please contact Aion LED to discuss.

### Lens

Frosted  
Clear  
Prismatic

### Finish

White Powder Coat  
Black Powder Coat  
Custom Color

### Length

Standard Length:  
8' on Center, Including  
Mounting Brackets\*

Custom pre-cut lengths  
available

### Leads

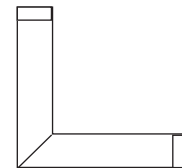
96" Black or White Cable  
Custom Lengths Available

### Fixture Suspension Kit

Sky Track Suspension 8'  
1/32" Diameter Aircraft Cable  
Grippers  
Optional Canopies

### Corner

12" x 12"



8' on center suspension points. 8' 0.875" overall fixture length including mounting brackets and end caps



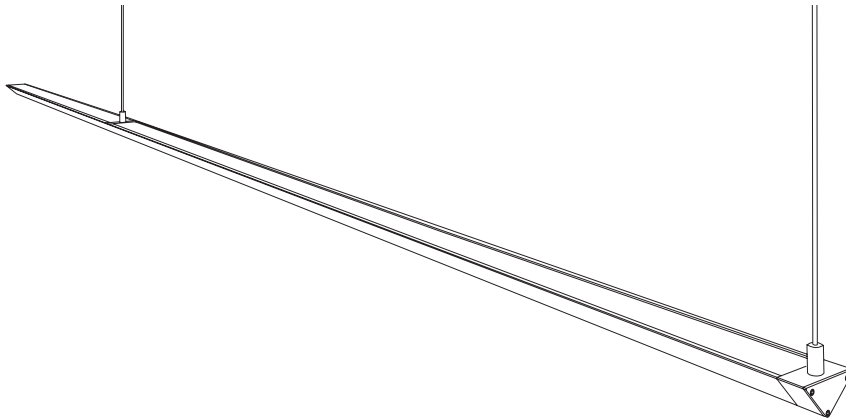
# ST SERIES

## Linear Pendant System

### COMPATIBILITY\*

RGBW+ Color Tuning  
8924-RGBW-LE

\*See order forms for complete system options



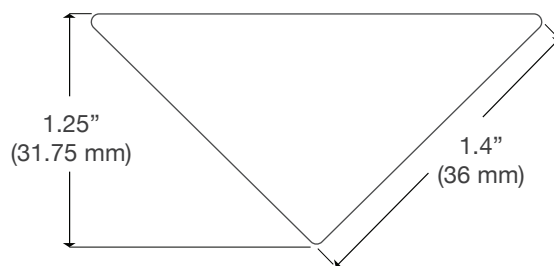
Standard 8' on center

Custom lengths & configurations  
require reflected ceiling plan with  
suspension points indicated

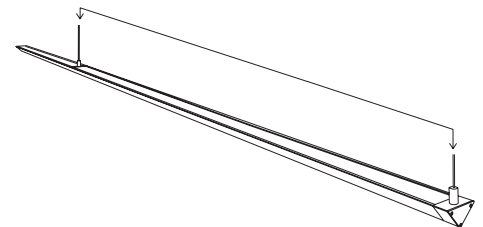
NOT TO SCALE

### DIMENSIONS

NOT TO SCALE



8' on Center Suspension  
8' 0.875" overall fixture length including  
mounting brackets and end caps



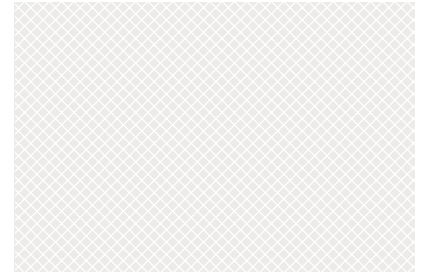
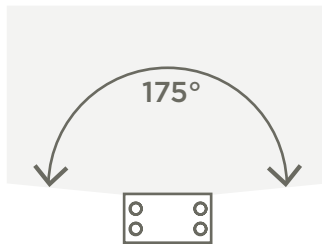
Components of a complete system include: Aion LED A-Track Light Engine, Aion LED A-Track housing with diffuser lens, & Aion LED driver (power supply). Dimmer not included. Approved dimmers, controls, power supplies, cable, & other components only. Contact Aion LED for questions regarding compatibility. Electrician installed. Strictly adhere to NEC & local building code. Limited 5-year warranty against manufacturing defects only, does not cover labor; voided by: inadequate ventilation, field modifications, installation by unqualified personnel, unapproved controls, drivers, cabling, other devices, not following installation guidelines & protocol, general negligence. Installer assumes all liability with regard to property & safety. This product is UL listed. See separate "Aion LED Warranty Terms" & additional instructional materials for more information. Authorized installers only. Systems tested prior to shipping.

Aion LED lenses are UV stabilized and won't yellow in direct sunlight.

### Frosted

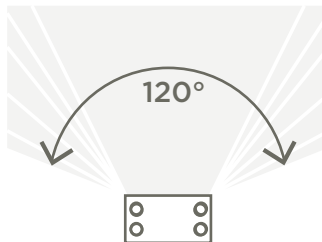
Widest Angle  
Mid-Transmittance  
100% Diffusion

See direct view for compatible light engines



### Prismatic

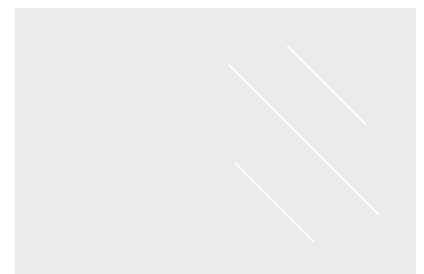
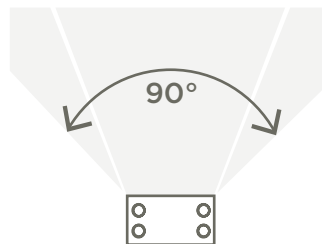
Wider Angle  
High Transmittance  
Mid Range Diffusion



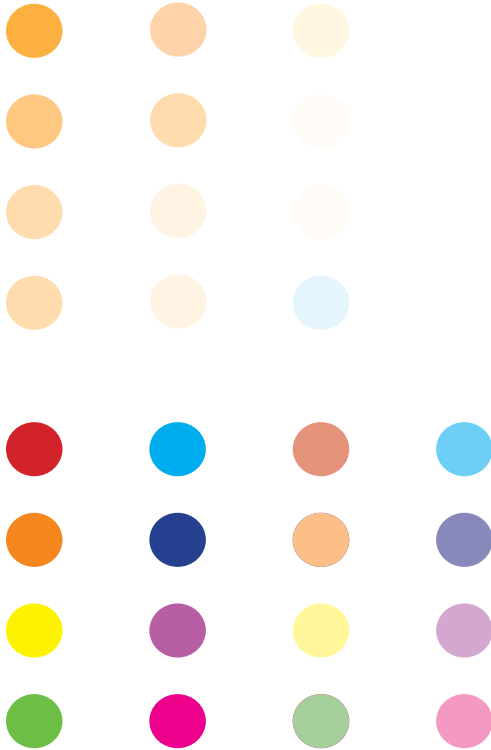
### Clear

Wide Angle  
Maximum Transmittance  
Zero Diffusion

Clear lens is recommended for indirect applications.



**8924-RGBW-LE**  
High Rendering Color Tuning Fixture



UL Class 2

IP20 Dry Location

Custom Cut to Fit,  
Field Trimmable

50,000 Hour Minimum Lifespan

High Output/ 4 Channel (Common+)

5.8W/ ft. Discrete LEDs:  
Red, Green, Blue & White

Max. Increment:  
15 ft.

Min. Increment:  
4 in.

Requires: Aion LED Driver, Approved Controller, AT, WT or ST Series Housing -Sold Separately, Not Included

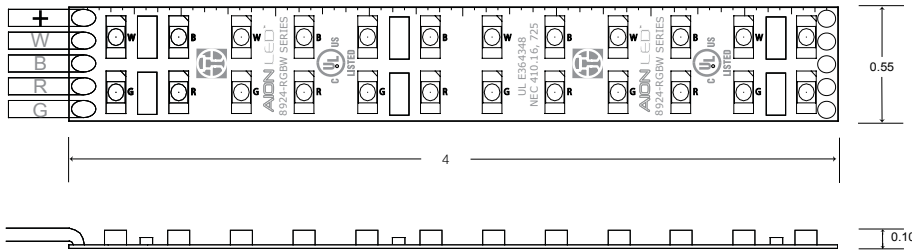
Tested as suitable for use within clothing closet spaces by ETL/ Intertek

Must be installed in accordance with NEC 410.16 for use in clothing closet spaces



Component of a complete system including: Aion LED A-Track Light Engine, Aion LED A-Track housing with diffuser lens, & Aion LED driver (power supply). Dimmer not included. Approved dimmers, controls, power supplies, cable, & other components only. Contact Aion LED for questions regarding compatibility. Electrician installed. Strictly adhere to NEC & local building code. Limited 5-year warranty against manufacturing defects only, does not cover labor; voided by: inadequate ventilation, field modifications, installation by unqualified personnel, unapproved controls, drivers, cabling, other devices, not following installation guidelines & protocol, general negligence. Installer assumes all liability with regard to property & safety. This product is UL listed. See separate "Aion LED Warranty Terms" & additional instructional materials for more information. Authorized installers only. Systems tested prior to shipping.

**8924-RGBW-LE**  
High Rendering Color Tuning Fixture



UL Class 2

IP20 Dry Location

Custom Cut to Fit,  
Field Trimmable

50,000 Hour Minimum Lifespan

High Output/ 4 Channel (Common+)

5.8W/ ft. Discrete LEDs:  
Red, Green, Blue & White

Max. Increment:  
15 ft.

Min. Increment:  
4 in.

Requires: Aion LED Driver, Approved Controller, AT, WT or ST Series Housing -Sold Separately, Not Included

Tested as suitable for use within clothing closet spaces by ETL/ Intertek

Must be installed in accordance with NEC 410.16 for use in clothing closet spaces



Component of a complete system including: Aion LED A-Track Light Engine, Aion LED A-Track housing with diffuser lens, & Aion LED driver (power supply). Dimmer not included. Approved dimmers, controls, power supplies, cable, & other components only. Contact Aion LED for questions regarding compatibility. Electrician installed. Strictly adhere to NEC & local building code. Limited 5-year warranty against manufacturing defects only, does not cover labor; voided by: inadequate ventilation, field modifications, installation by unqualified personnel, unapproved controls, drivers, cabling, other devices, not following installation guidelines & protocol, general negligence. Installer assumes all liability with regard to property & safety. This product is UL listed. See separate "Aion LED Warranty Terms" & additional instructional materials for more information. Authorized installers only. Systems tested prior to shipping.

# X4

## 4 Channel DMX Driver



4 Channel DMX Driver

**Factory Programmed for:**  
RGBW+

**Factory Wire Harness for Ease of Installation**

Integrated Class 2 Supply

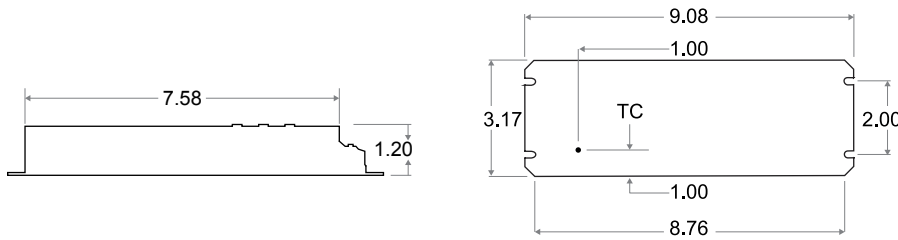
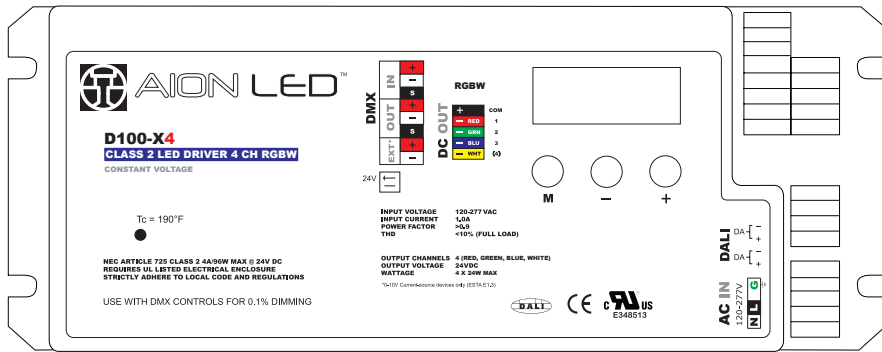
LCD interface

Universal 100-277VAC Input

UL, CE, & CSA APPROVED

Default Address 1

Requires UL Listed Enclosure



<b>MODEL</b>	D100-X4		
<b>CASE</b>	DRY & DAMP	<b>DIMENSIONS (L-W-H)"</b>	9.06 x 3.15 x 1.18"
<b>WATTAGE</b>	96W @ 24 VDC	<b>PRIMARY BREAKER</b>	AUTO-RESET
<b>INPUT VOLTAGE (Hz)</b>	100-277 VAC, 60HZ	<b>DIMMING</b>	0.1%
<b>INRUSH CURRENT</b>	120 VAC: 35A 240µs 277 VAC: 75A 240µs	<b>CONTROL TYPE</b>	Aion LED AX5-4 Controller, DTM or 3rd Party DMX Interface
<b>INPUT CURRENT</b>	120 VAC: 1.05A 277 VAC: 0.45A	<b>3RD PARTY DMX COMPATIBILITY</b>	Lutron, Vantage, Crestron, ETC AMX (ANY DMX)
<b>POWER FACTOR</b>	>0.94	<b>THERMAL CLASS</b>	(B) 130 C
<b>VOLTAGE LOADED</b>	23.5 VDC	<b>MAX FEET 8924-RGBW</b>	15
<b>VOLTAGE OPEN</b>	24.2 VDC		



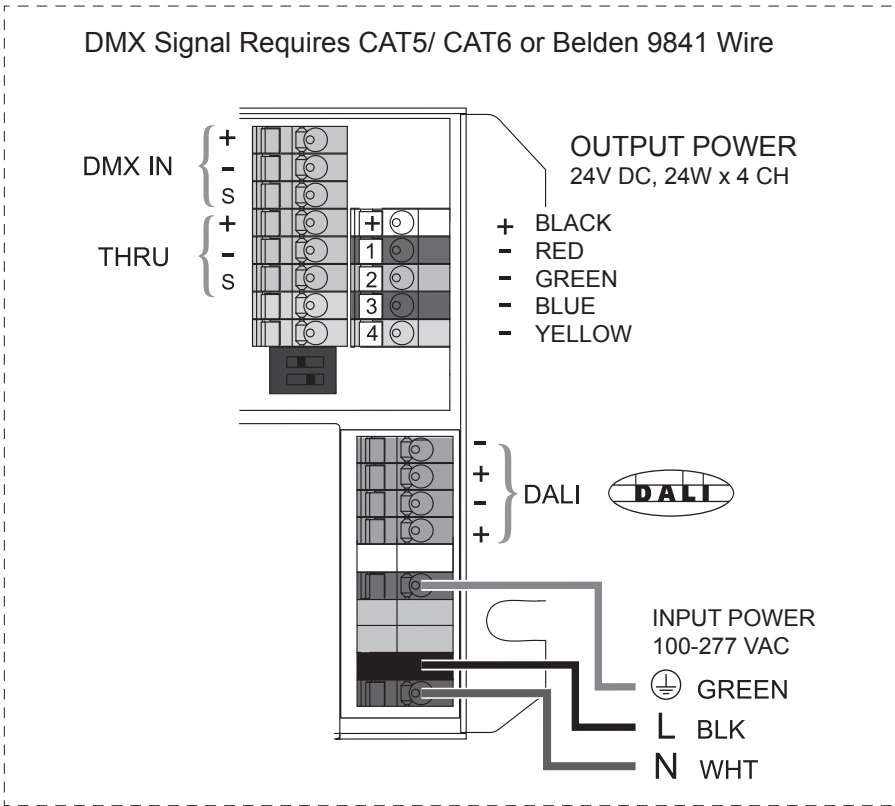
Component of a complete system including: Aion LED A-Track Light Engine, Aion LED A-Track housing with diffuser lens, & Aion LED driver (power supply). Dimmer not included. Approved dimmers, controls, power supplies, cable, & other components only. Contact Aion LED for questions regarding compatibility. Electrician installed. Strictly adhere to NEC & local building code. Limited 5-year warranty against manufacturing defects only, does not cover labor; voided by: inadequate ventilation, field modifications, installation by unqualified personnel, unapproved controls, drivers, cabling, other devices, not following installation guidelines & protocol, general negligence. Installer assumes all liability with regard to property & safety. This product is UL listed. See separate "Aion LED Warranty Terms" & additional instructional materials for more information. Authorized installers only. Systems tested prior to shipping.



AIONLED.COM | (415) 255-AION

Modified: January 25, 2018

© 2017 Aion LED. All Rights Reserved



INSTALL PER NEC

Requires:

DMX Controller & Control Wire Daisy-Chain

Fixture Load:

Requires 5 Conductor Cable

Black = Common POS +

Red, Green, Blue, Yellow = NEG -

AC Input:

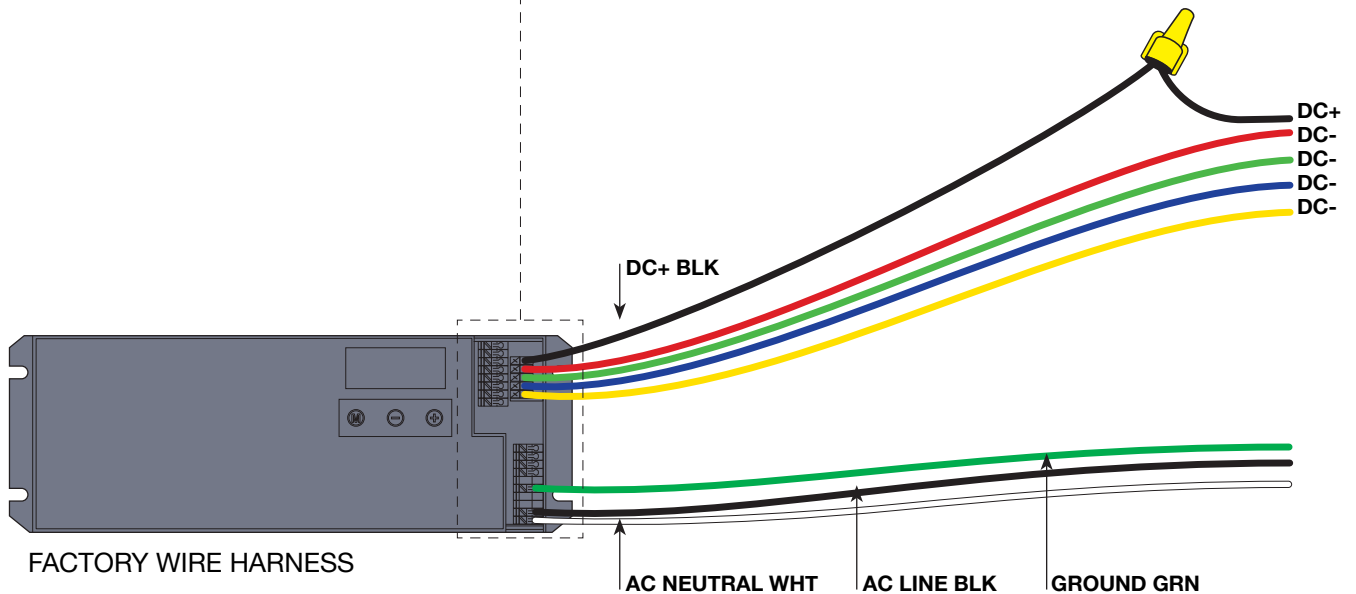
LINE (BLK)

NEUTRAL (WHT)

GROUND (GRN)

Max Run

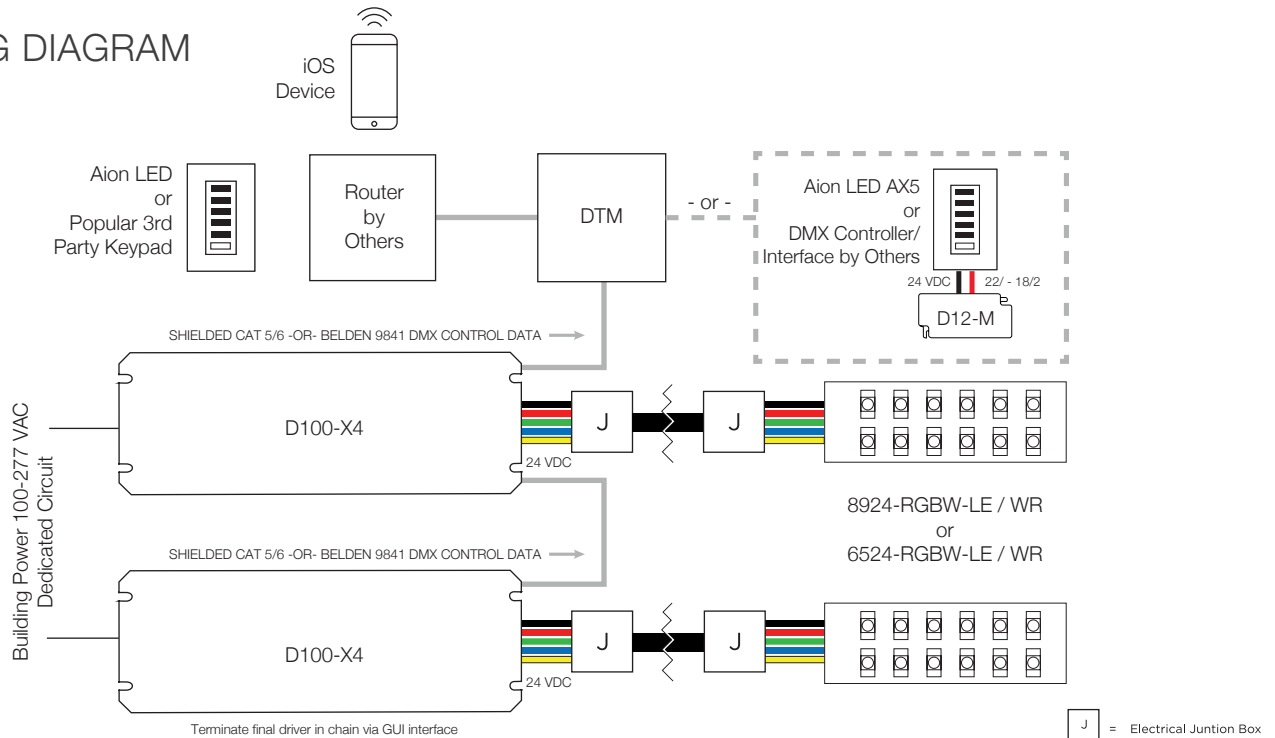
15 ft.



Component of a complete system including: Aion LED A-Track Light Engine, Aion LED A-Track housing with diffuser lens, & Aion LED driver (power supply). Dimmer not included. Approved dimmers, controls, power supplies, cable, & other components only. Contact Aion LED for questions regarding compatibility. Electrician installed. Strictly adhere to NEC & local building code. Limited 5-year warranty against manufacturing defects only; does not cover labor; voided by: inadequate ventilation, field modifications, installation by unqualified personnel, unapproved controls, drivers, cabling, other devices, not following installation guidelines & protocol, general negligence. Installer assumes all liability with regard to property & safety. This product is UL listed. See separate "Aion LED Warranty Terms" & additional instructional materials for more information. Authorized installers only. Systems tested prior to shipping.



## X4 WIRING DIAGRAM



## X4 INSTALLATION INSTRUCTIONS

1. Install per NEC and Local code by qualified personnel
2. Requires UL Listed enclosure with adequate ventilation
3. Strain-relief wiring to enclosure to prevent wires from pulling out
4. Wire AC power with 18AWG power wire
5. Ensure that jacket goes all the way into connector
6. Connect DMX controller to 'DMX in' on first unit with Belden 9841 DMX wire (plus, minus, shield), -or- shielded CAT5/6
7. Daisy chain additional units from 'DMX out' to 'DMX' of following unit with Belden 9841 cable -or- shielded CAT5/6
8. Terminate only the final unit in DMX chain via programming interface
9. Wire fixture to wire harness with wire nuts [R, G, B, Y, DC+ (Black)]
10. Drivers are pre-programmed and tested at Aion LED for specific Aion LED fixtures. Each of the four D100-X series models (X1, X2, X3, X4) ship with a separate and unique Aion LED factory wiring harness for plug and play functionality and to eliminate mistakes in the field. Aside from changing the default DMX address (1) via supplied GUI interface, or activating "Termination" on the final unit in a control chain, only certified integrators and qualified personnel should attempt changing other settings. Default programming settings are for reference only.



## X4 PROGRAMMING GUIDE

### USER MENU

Highlighted Yellow = User Defined

<b>M</b>	DMX Address = <b>1</b> Default
<b>M</b>	Network Resolution = 8 bit
<b>M</b>	Term = <b>No</b> terminate final driver in chain
<b>M</b>	Network Set = Manual
<b>M</b>	Interpolation = Color

### TO LOCK/ UNLOCK MODE MENU

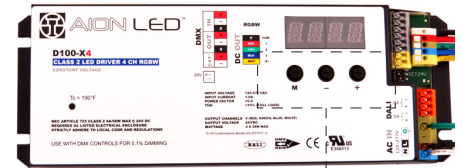
<b>M</b> + <b>+</b>	Hold for 3 seconds, then select (+) or (-) to lock or unlock
---------------------	--

### TO ACCESS OUTPUT MENU

<b>M</b> + <b>+</b>	Hold for 0.5 seconds LED =RGBW
<b>M</b>	External Input = OFF
<b>M</b>	Dim Curve = Log

### TO ACCESS MODE MENU

<b>M</b>	Hold for 3 seconds SET MODE = DMX
----------	--------------------------------------

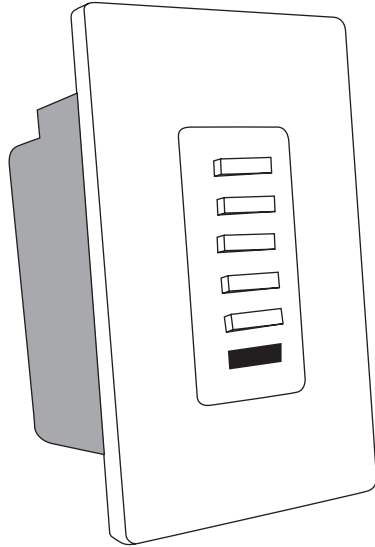


Ensure all wiring is correct and properly terminated

Default DMX address is 1 and can be changed via GUI interface.

Drivers are pre-programmed and tested at Aion LED for specific Aion LED fixtures. Each of the four D100-X series models (X1,X2, X3, X4) ship with a separate and unique Aion LED factory wiring harness for plug and play functionality and to eliminate mistakes in the field.

Aside from changing the default DMX address (1) via supplied GUI interface, or activating "Termination" on the final unit in a control chain, only certified integrators and qualified personnel should attempt changing other settings. Default programming settings are for reference only.

**AX5-4**  
 Compact DMX Controller


AX5 ships pre-programmed to factory default settings per application

Standard Decora™ Mounting

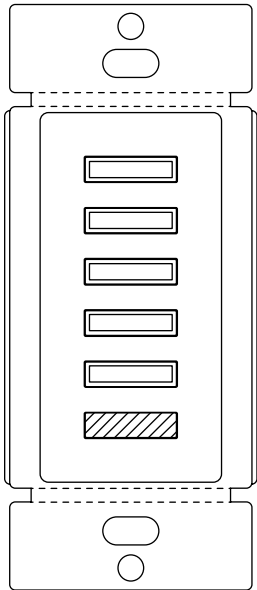
Optional programming software, USB interface & remote control available

Requires Approved DMX Signal Cable, Including Belden 9841 -Sold Separately

Requires D12-M-24 Power Supply

<b>MODEL</b>	AX5-4
<b>DIMENSIONS (L-W-H)"</b>	1.8 x 1.8 x 4.1"
<b>WEIGHT</b>	2.9 oz
<b>POWER</b>	2- POSITION SPRING CLIP TERMINAL
<b>DMX PORT</b>	3- POSITION REMOVABLE TERMINAL BLOCK
<b>INPUT</b>	24 VDC

DEFAULT PROGRAMMING



Up: White 22/24/27/30/35/40/55  
 Down: White 55/40/35/30/27/24/22  
 RGBW Fade: Slow/ Med/ Fast  
 Static Colors: Color/ Pastel White  
 Off



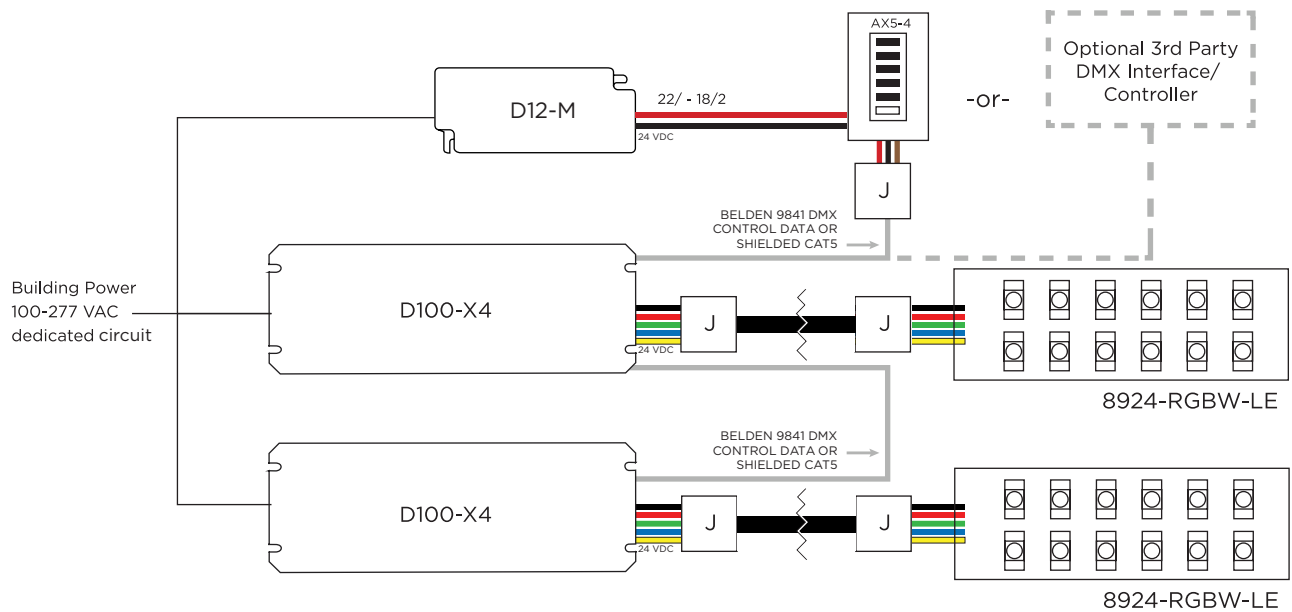
AX5 ships pre-programmed to factory default settings per application

Requires Approved DMX Signal Cable, Including Belden 9841 -Sold Separately

Requires D12-M-24 Power Supply

Default programming subject to change without notice

AX5-4 WIRING DIAGRAM



**J** = Electrical Junction Box

Component of a complete system including: Aion LED A-Track Light Engine, Aion LED A-Track housing with diffuser lens, & Aion LED driver (power supply). Dimmer not included. Approved dimmers, controls, power supplies, cable, & other components only. Contact Aion LED for questions regarding compatibility. Electrician installed. Strictly adhere to NEC & local building code. Limited 5-year warranty against manufacturing defects only, does not cover labor; voided by: inadequate ventilation, field modifications, installation by unqualified personnel, unapproved controls, drivers, cabling, other devices, not following installation guidelines & protocol, general negligence. Installer assumes all liability with regard to property & safety. This product is UL listed. See separate "Aion LED Warranty Terms" & additional instructional materials for more information. Authorized installers only. Systems tested prior to shipping.

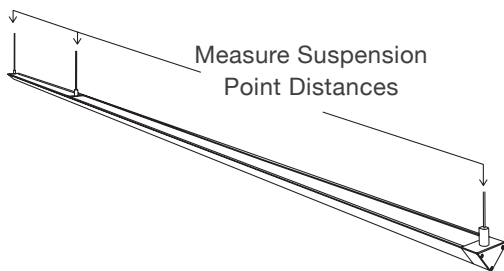
PRELIMINARY SPECIFICATION, SUBJECT TO CHANGE WITHOUT NOTICE

## ST SERIES

### Linear Pendant System

Please include reflected ceiling plan.

Note suspension point distances, power feed locations\* and total overall lengths of fixtures.









#### Power Feed Requirements

9524-FR	1 per 8' max
8924-LE	1 per 16' max
4924-LE	1 per 32' max

Components of a complete system include: Aion LED A-Track Light Engine, Aion LED A-Track housing with diffuser lens, & Aion LED driver (power supply). Dimmer not included. Approved dimmers, controls, power supplies, cable, & other components only. Contact Aion LED for questions regarding compatibility. Electrician installed. Strictly adhere to NEC & local building code. Limited 5-year warranty against manufacturing defects only, does not cover labor; voided by: inadequate ventilation, field modifications, installation by unqualified personnel, unapproved controls, drivers, cabling, other devices, not following installation guidelines & protocol, general negligence. Installer assumes all liability with regard to property & safety. This product is UL listed. See separate "Aion LED Warranty Terms" & additional instructional materials for more information. Authorized installers only. Systems tested prior to shipping.



7024-RGB-LE, 5024-RGB-LE  
Color Tuning Fixture

-  Violet
-  Indigo
-  Blue
-  Green
-  Amber
-  Red



UL Class 2

IP20 Dry Location

Custom Cut To Fit

50,000 Hour Minimum  
Lifespan

Requires: Aion LED Driver, Approved Controller, AT, WT or ST Series Housing -Sold Separately, Not Included

Tested as suitable for use within clothing closet spaces by ETL/ Intertek

Must be installed in accordance with NEC 410.16 for use in clothing closet spaces



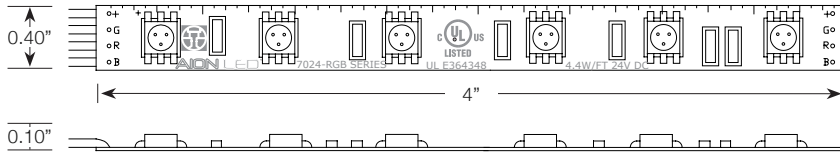
Component of a complete system including: Aion LED A-Track Light Engine, Aion LED A-Track housing with diffuser lens, & Aion LED driver (power supply). Dimmer not included. Approved dimmers, controls, power supplies, cable, & other components only. Contact Aion LED for questions regarding compatibility. Electrician installed. Strictly adhere to NEC & local building code. Limited 5-year warranty against manufacturing defects only, does not cover labor; voided by: inadequate ventilation, field modifications, installation by unqualified personnel, unapproved controls, drivers, cabling, other devices, not following installation guidelines & protocol, general negligence. Installer assumes all liability with regard to property & safety. This product is UL listed. See separate "Aion LED Warranty Terms" & additional instructional materials for more information. Authorized installers only. Systems tested prior to shipping.

**7024-RGB-LE**  
Mid Output Color Tuning

Min. Increment: 4 in.  
Max Increment: 20 ft.  
4.4W/ ft. Tri-Color (3 in 1) LEDs: Red, Green & Blue

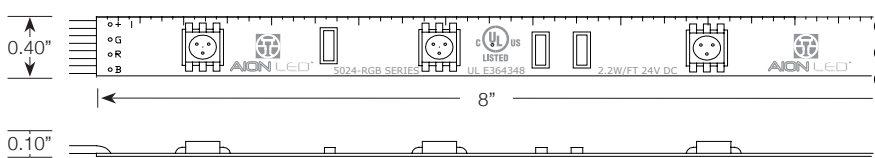


- UL Class 2
- IP20 Dry Location
- Custom Cut to Fit
- 50,000 Hour Minimum Lifespan
- High Output/ 3 Channel



**5024-RGB-LE**  
Standard Output Color Tuning

Min. Increment: 8 in.  
Max Increment: 35 ft.  
2.2W/ ft. Tri-Color (3 in 1) LEDs: Red, Green & Blue



Requires: Aion LED X3 Driver, Aion LED AX5-3 DMX Controller or DTM and AT, WT or ST Series Housing -Sold Separately, Not Included

Tested as suitable for use within clothing closet spaces by ETL/ Intertek  
  
Must be installed in accordance with NEC 410.16 for use in clothing closet spaces

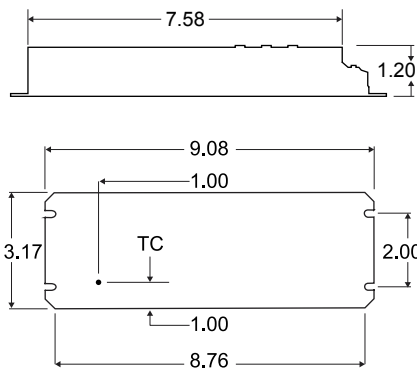
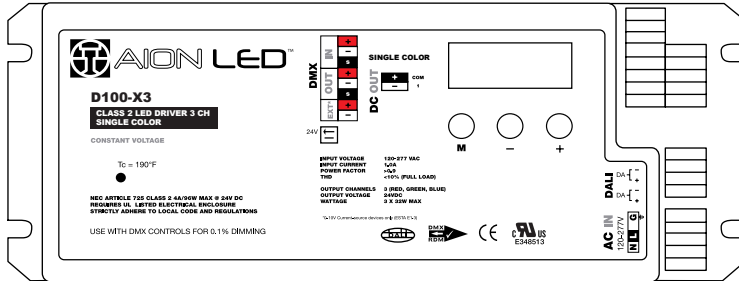


Component of a complete system including: Aion LED A-Track Light Engine, Aion LED A-Track housing with diffuser lens, & Aion LED driver (power supply). Dimmer not included. Approved dimmers, controls, power supplies, cable, & other components only. Contact Aion LED for questions regarding compatibility. Electrician installed. Strictly adhere to NEC & local building code. Limited 5-year warranty against manufacturing defects only, does not cover labor; voided by: inadequate ventilation, field modifications, installation by unqualified personnel, unapproved controls, drivers, cabling, other devices, not following installation guidelines & protocol, general negligence. Installer assumes all liability with regard to property & safety. This product is UL listed. See separate "Aion LED Warranty Terms" & additional instructional materials for more information. Authorized installers only. Systems tested prior to shipping.



# X3

## 3 Channel DMX Driver



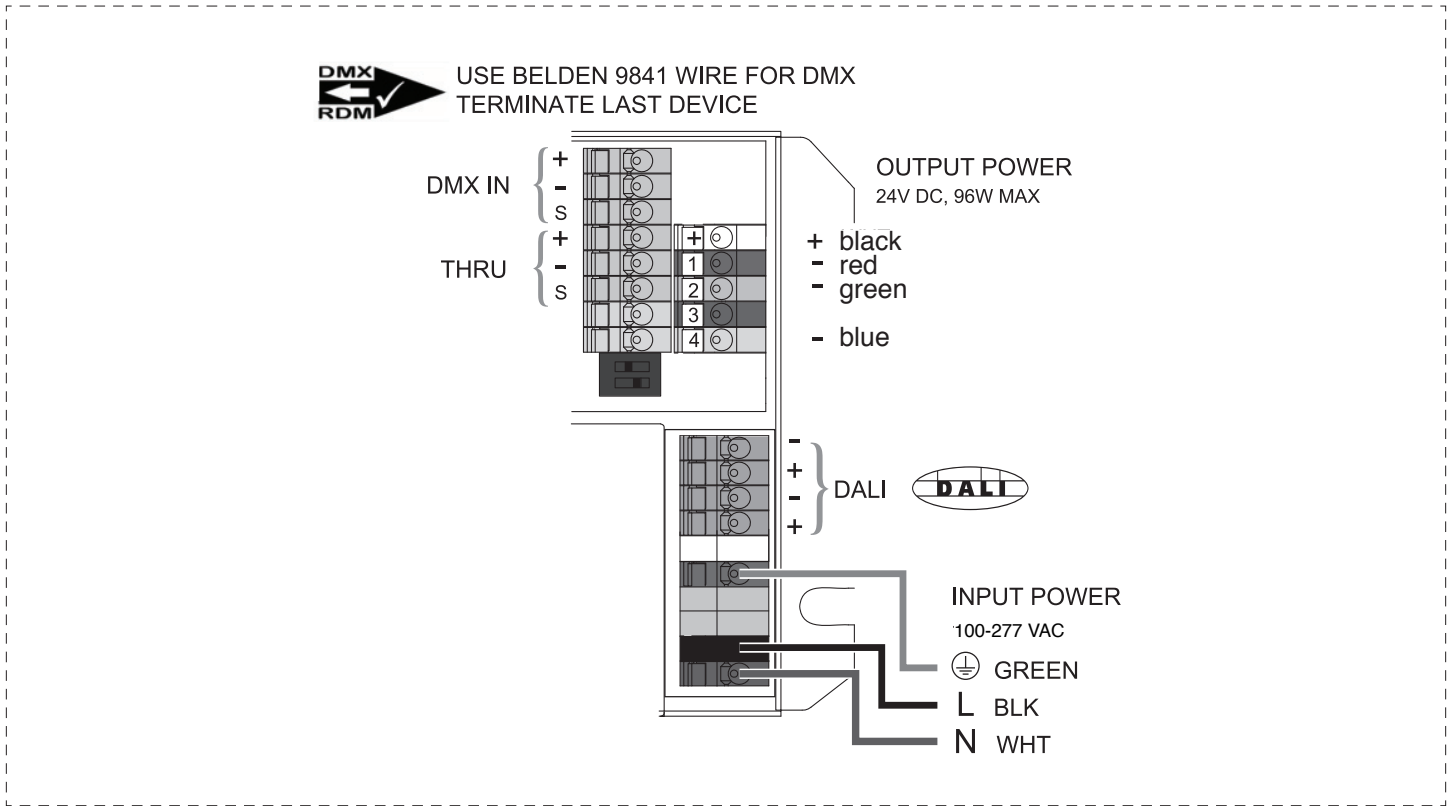
- 3 Channel DMX Driver
- Integrated Class 2 Supply
- LCD interface
- Universal 100-277VAC Input
- UL, CE, & CSA APPROVED
- Requires UL Listed Enclosure

<b>MODEL</b>	D100-X3		
<b>CASE</b>	DRY & DAMP	<b>DIMENSIONS (L-W-H)"</b>	9.06 x 3.15 x 1.18"
<b>WATTAGE</b>	96W @ 24 VDC	<b>PRIMARY BREAKER</b>	AUTO-RESET
<b>INPUT VOLTAGE (Hz)</b>	100-277 VAC, 60HZ	<b>DIMMING</b>	0.1%
<b>INRUSH CURRENT</b>	120 VAC: 35A 240µs 277 VAC: 75A 240µs	<b>CONTROL TYPE</b>	Aion LED AX5-3 Controller, DTM or 3rd Party DMX Interface
<b>INPUT CURRENT</b>	120 VAC: 1.05A 277 VAC: 0.45A	<b>3RD PARTY DMX COMPATIBILITY</b>	Lutron, Vantage, Crestron, ETC AMX (ANY DMX)
<b>POWER FACTOR</b>	>0.94	<b>THERMAL CLASS</b>	(B) 130 C
<b>VOLTAGE LOADED</b>	23.5 VDC	<b>MAX FEET 7024-RGB</b>	20
<b>VOLTAGE OPEN</b>	24.2 VDC	<b>MAX FEET 5024-RGB</b>	35



Component of a complete system including: Aion LED A-Track Light Engine, Aion LED A-Track housing with diffuser lens, & Aion LED driver (power supply). Dimmer not included. Approved dimmers, controls, power supplies, cable, & other components only. Contact Aion LED for questions regarding compatibility. Electrician installed. Strictly adhere to NEC & local building code. Limited 5-year warranty against manufacturing defects only, does not cover labor; voided by: inadequate ventilation, field modifications, installation by unqualified personnel, unapproved controls, drivers, cabling, other devices, not following installation guidelines & protocol, general negligence. Installer assumes all liability with regard to property & safety. This product is UL listed. See separate "Aion LED Warranty Terms" & additional instructional materials for more information. Authorized installers only. Systems tested prior to shipping.

REQUIRES DMX CONTROLLER & CONTROL WIRE DAISY-CHAIN



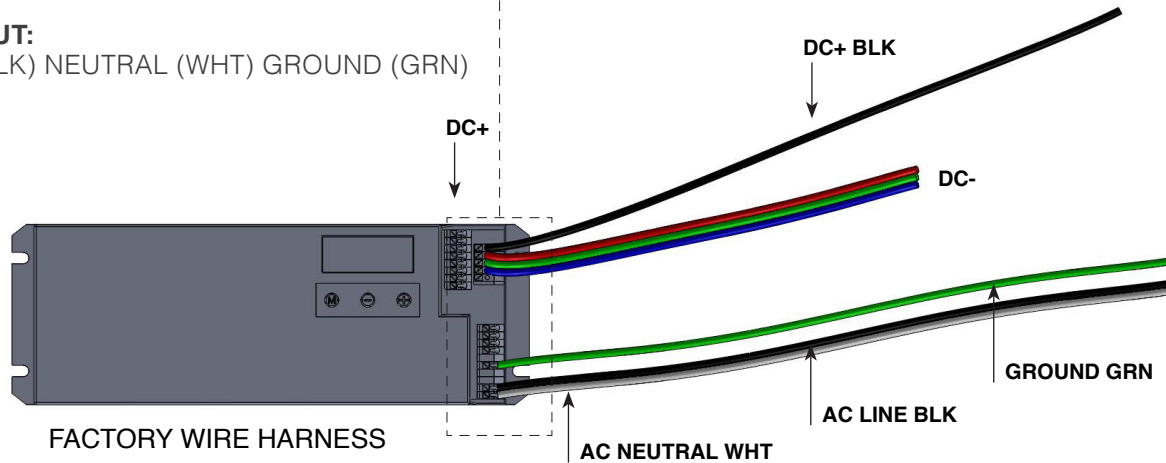
**FIXTURE LOAD:**

Requires 4 conductor cable  
BLACK = COMMON POS+  
RED, GREEN, BLUE = NEG-

INSTALL PER NEC

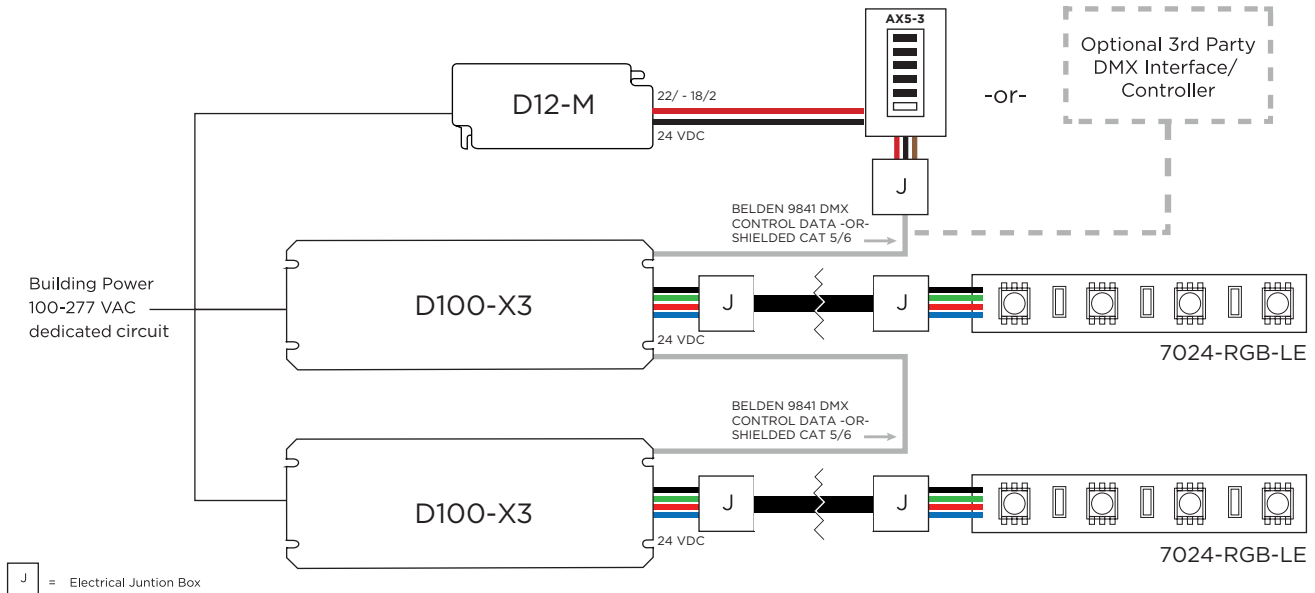
**AC INPUT:**

LINE (BLK) NEUTRAL (WHT) GROUND (GRN)



Component of a complete system including: Aion LED A-Track Light Engine, Aion LED A-Track housing with diffuser lens, & Aion LED driver (power supply). Dimmer not included. Approved dimmers, controls, power supplies, cable, & other components only. Contact Aion LED for questions regarding compatibility. Electrician installed. Strictly adhere to NEC & local building code. Limited 5-year warranty against manufacturing defects only, does not cover labor; voided by: inadequate ventilation, field modifications, installation by unqualified personnel, unapproved controls, drivers, cabling, other devices, not following installation guidelines & protocol, general negligence. Installer assumes all liability with regard to property & safety. This product is UL listed. See separate "Aion LED Warranty Terms" & additional instructional materials for more information. Authorized installers only. Systems tested prior to shipping.

### X3 WIRING DIAGRAM

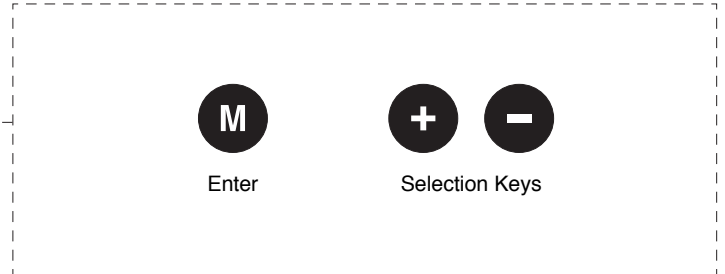
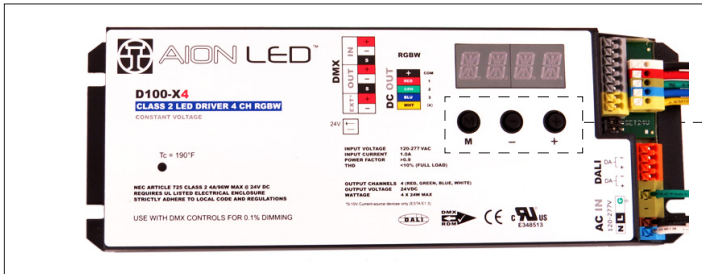


### INSTALLATION INSTRUCTIONS

1. Install per NEC and Local code by qualified personnel
2. Requires UL Listed enclosure with adequate ventilation
3. Stain-relief wiring to enclosure to prevent wires from pulling out
4. Wire AC power with 18AWG power wire
5. Ensure that jacket goes all the way into connector
6. Connect DMX controller to 'DMX in' on first unit with Belden 9841 DMX wire (plus, minus, shield) -or- shielded CAT5
7. Daisy chain additional units from 'DMX out' to 'DMX' of following unit with Belden 9841 cable -or- shielded CAT5
8. Terminate only the final unit in DMX chain via programming interface
9. Each driver is pre-programmed from factory Do not change settings
10. Wire fixture to wire harness with wire nuts [R, G, B, DC+ (Black)]



## PROGRAMMING GUIDE



Ensure all wiring is correct and properly terminated  
**Factory Programmed.** Ships with Default Settings Below

**USER MENU**

Highlighted Yellow = User Defined

<b>M</b>	DMX Address = <b>1</b> Default
<b>M</b>	Network Resolution = 8 bit
<b>M</b>	Term = <b>No</b> terminate final driver in chain
<b>M</b>	Network Set = Manual
<b>M</b>	Interpolation = Color

**TO LOCK/ UNLOCK MODE MENU**

<b>M</b> + <b>+</b>	Hold for 3 seconds, then select (+) or (-) to lock or unlock
---------------------	--

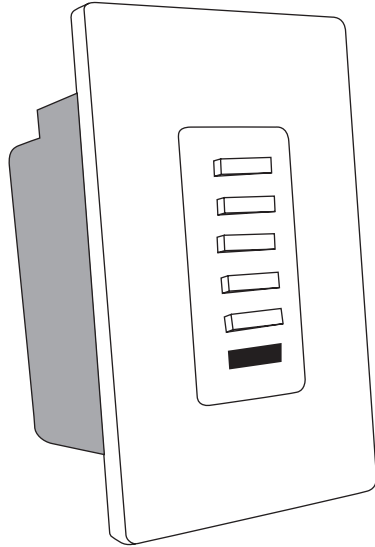
**TO ACCESS OUTPUT MENU**

<b>M</b> + <b>+</b>	Hold for 0.5 seconds LED = RGB
<b>M</b>	External Input = OFF
<b>M</b>	Dim Curve = Log

**TO ACCESS MODE MENU**

<b>M</b>	Hold for 3 seconds SET MODE = DMX
----------	--------------------------------------

Component of a complete system including: Aion LED A-Track Light Engine, Aion LED A-Track housing with diffuser lens, & Aion LED driver (power supply). Dimmer not included. Approved dimmers, controls, power supplies, cable, & other components only. Contact Aion LED for questions regarding compatibility. Electrician installed. Strictly adhere to NEC & local building code. Limited 5-year warranty against manufacturing defects only, does not cover labor; voided by: inadequate ventilation, field modifications, installation by unqualified personnel, unapproved controls, drivers, cabling, other devices, not following installation guidelines & protocol, general negligence. Installer assumes all liability with regard to property & safety. This product is UL listed. See separate "Aion LED Warranty Terms" & additional instructional materials for more information. Authorized installers only. Systems tested prior to shipping.

**AX5-3**  
 Compact DMX Controller


AX5 ships pre-programmed to factory default settings per application

Standard Decora™ Mounting

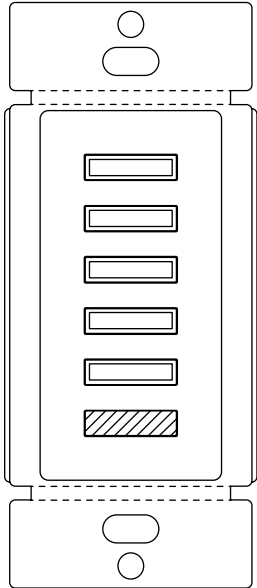
Optional programming software, USB interface & remote control available

Requires Approved DMX Signal Cable, Including Belden 9841 -Sold Separately

Requires D12-M-24 Power Supply

<b>MODEL</b>	AX5-3
<b>DIMENSIONS (L-W-H)"</b>	1.8 x 1.8 x 4.1"
<b>WEIGHT</b>	2.9 oz
<b>POWER</b>	2- POSITION SPRING CLIP TERMINAL
<b>DMX PORT</b>	3- POSITION REMOVABLE TERMINAL BLOCK
<b>INPUT</b>	24 VDC

DEFAULT PROGRAMMING



Static Colors: Color/ Pastel White  
 RGB Fade: Slow/ Med/ Fast  
 Dim Up  
 Dim Down  
 Off



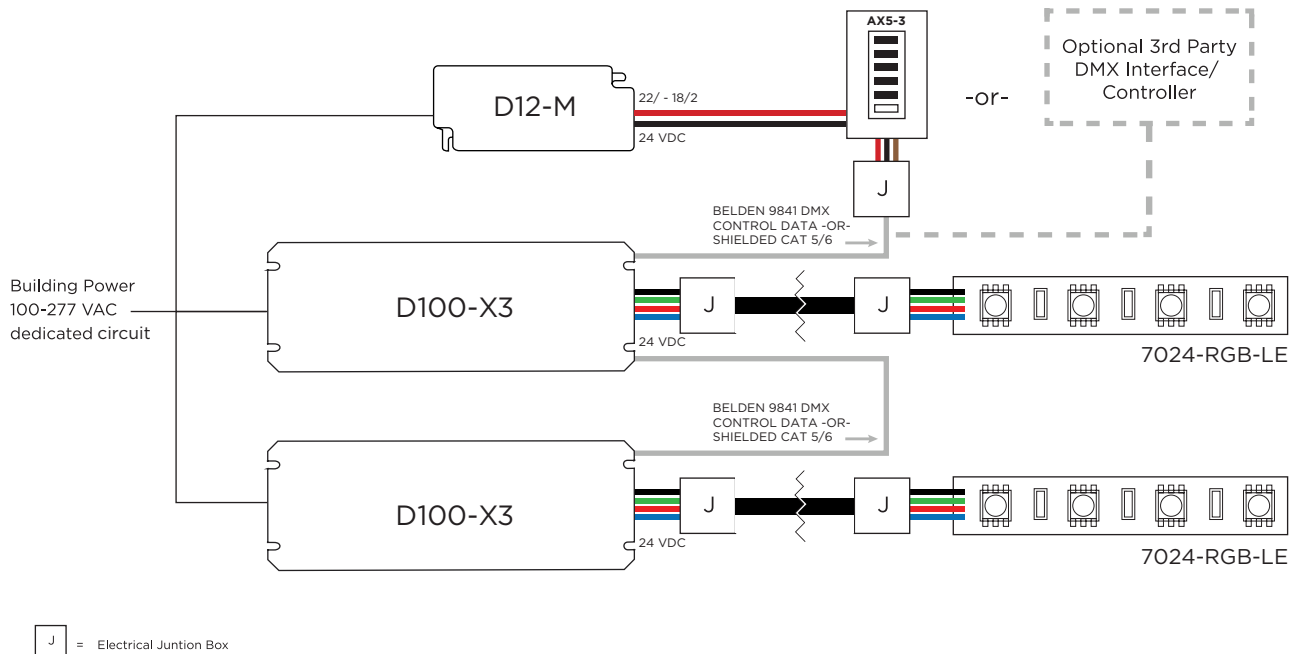
AX5 ships pre-programmed to factory default settings per application

Requires Approved DMX Signal Cable, Including Belden 9841 -Sold Separately

Requires D12-M-24 Power Supply

Default programming subject to change without notice

AX5-3 WIRING DIAGRAM



Component of a complete system including: Aion LED A-Track Light Engine, Aion LED A-Track housing with diffuser lens, & Aion LED driver (power supply). Dimmer not included. Approved dimmers, controls, power supplies, cable, & other components only. Contact Aion LED for questions regarding compatibility. Electrician installed. Strictly adhere to NEC & local building code. Limited 5-year warranty against manufacturing defects only, does not cover labor; voided by: inadequate ventilation, field modifications, installation by unqualified personnel, unapproved controls, drivers, cabling, other devices, not following installation guidelines & protocol, general negligence. Installer assumes all liability with regard to property & safety. This product is UL listed. See separate "Aion LED Warranty Terms" & additional instructional materials for more information. Authorized installers only. Systems tested prior to shipping.