

DTM-DG

0-10V Warm Dim Module



Dims to a warm and relaxing glow, similar to a traditional incandescent.

DYNAMIC WHITE
White Spectrum Tuning



DYNAMIC LIGHTING STANDARD.

Flicker-Free Warm Dimming Module

Compatible with all 0-10V Dimmers

2016 JA8 CA Title24 Listed
Requires Aion LED 1524 Light Engine

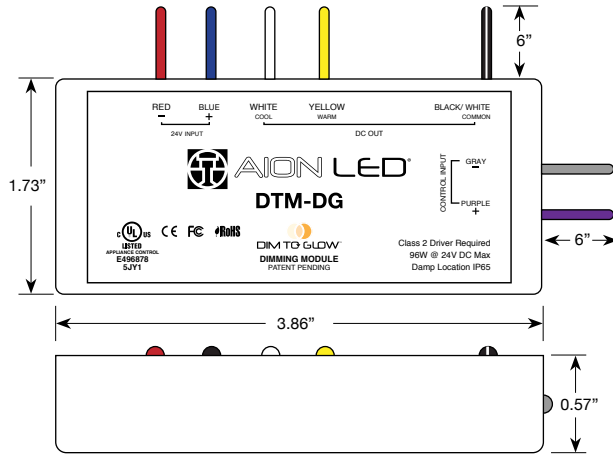
Install Within Wiring Compartment or Electrical Junction Box

Requires, Sold Separately:

- Third Party 0-10V Control
- UL Listed Enclosure per NEC or local code
- M Series, Non-Dimming Driver:
 - [D100-M-24](#)
 - [D40-M-24](#)
 - [D20-M-24](#)
 - [D12-M-24](#)
- Compatible Light Engine:
 - [1524-LE](#)
 - [8924-LE](#)
 - [6624-LE](#)

Color Ranges:

- RESI
- COMM
- CIRC



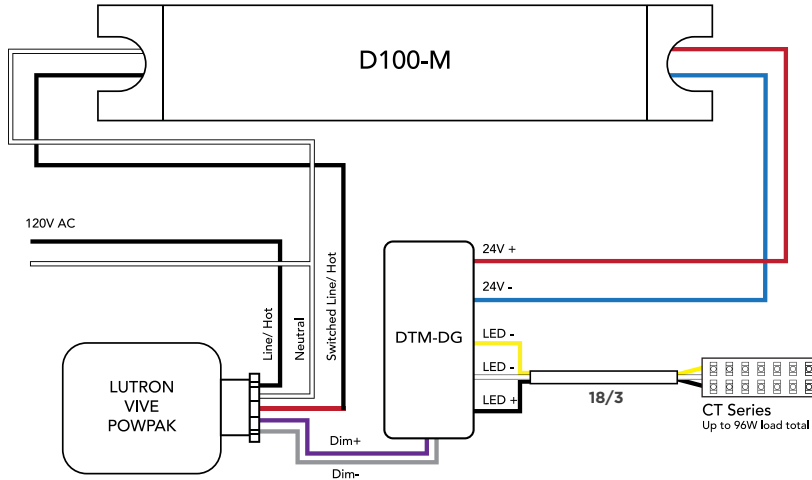
Model	DTM-DG
Input Voltage	24V DC
Output Voltage	0.2~0.5V
Max Output Current	5A
Max Output Power	96W
Power Efficiency	97%
Max Input Current	4A
IP Rating	IP65
Min Dim Level	0.1%



DTM-DG
0-10V Warm Dim Module

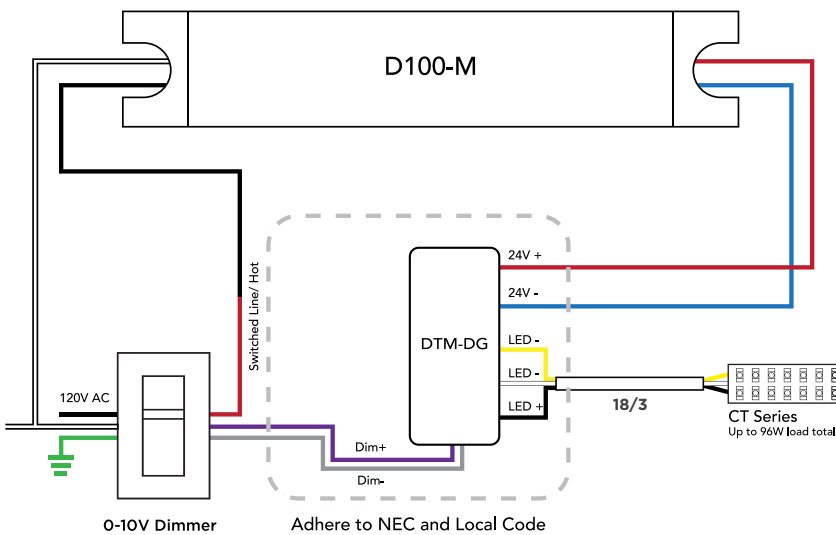


Wireless*



*Requires Lutron Vive Control or other 0-10V Dimmer

Wallbox



1. Install per NEC and Local code by qualified personnel
2. Requires UL approved electrical enclosure(s)
3. Shut off power at the breaker
4. Connect DTM-DG to D100-M
D100-M 24V Out to **DTM-DG V-in**
Blue (-) Blue (+)
Red (+) Red (-)
5. Extend fixture leads*:
Yellow - Warm -
White - Cool -
Black/White Common+
6. Connect Purple/Grey to 0-10V Dimmer*
7. Maximum Current Output: 5A

Max LED Lengths

8924-___-LE	30 ft.
1524-___-LE	30 ft.
6624-___-LE	8 ft.

Pre-Wire

24V DC OUTPUT	
Fixture Lead	18/3 AWG

***Cable Voltage Drop**

Gauge	Length
18 AWG	27 ft.
16 AWG	44 ft.
14 AWG	70 ft.
12 AWG	112 ft.
10 AWG	180 ft.
8 AWG	286 ft.